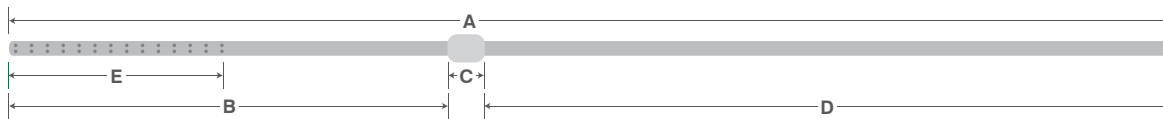




# PERITONEAL DIALYSIS CATHETER DIMENSION GRAPH

MEASUREMENTS ARE REFERENCE DIMENSIONS

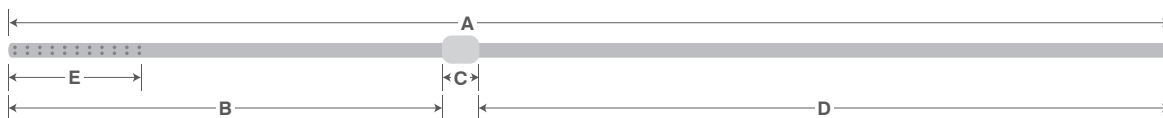
## I-Series Straight (Tenckhoff), Single Preperitoneal Cuff



### I-SERIES STRAIGHT (TENCKHOFF), SINGLE PREPERITONEAL CUFF

Medcomp Kit	A Length (cm)	B Tip to Cuff (cm)	C Cuff (cm)	D Cuff to Proximal Tip (cm)	E Sideholes Length (cm)
MPD-118	18	8	0.8	9	3.5
MPP41S MPD-141	41	15	0.8	25	7
MPD-146	46	20	0.8	25	15

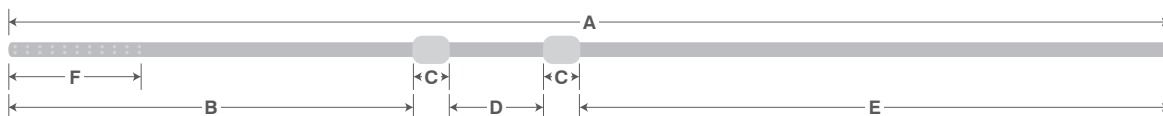
## I-Series Straight (Tenckhoff), Single Subcutaneous Cuff



### I-SERIES STRAIGHT (TENCKHOFF), SINGLE SUBCUTANEOUS CUFF

Medcomp Kit	A Length (cm)	B Tip to Cuff (cm)	C Cuff (cm)	D Cuff to Proximal Tip (cm)	E Sideholes Length (cm)
MSC31S	31	10.25	0.8	20	3
MSC37S	37	16.25	0.8	20	5
MSC42S	42	21	0.8	20	7
MSC46S MPD-146S	46	25	0.8	20	15

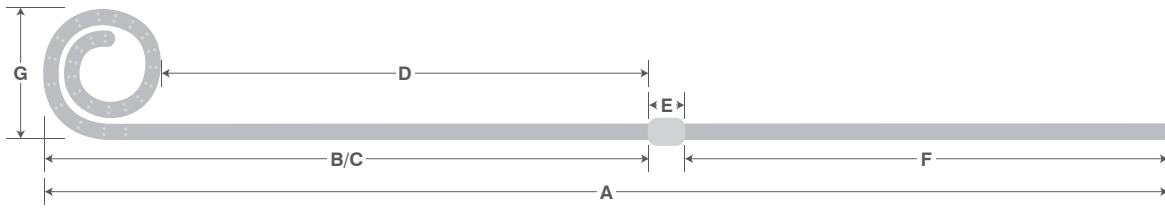
## I-Series Straight (Tenckhoff), Dual Cuff



### I-SERIES STRAIGHT (TENCKHOFF), DUAL CUFF

Medcomp Kit	A Length (cm)	B Tip to First Cuff (cm)	C Cuff (cm)	D Cuff to Cuff (cm)	E Cuff to Proximal Tip (cm)	F Sideholes Length (cm)
MDC31S	31	6.5	0.8	3	20	3
MDC32S	32.5	7	0.8	3.5	20	5
MDC37S MPD-237	37	10	0.8	5	20	5
MDC42S MPD-242	42	15	0.8	5	20	7
MDC47S	47	20	0.8	5	20	15

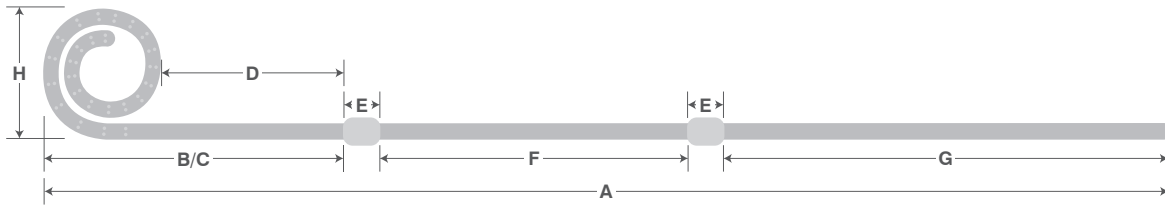
### I-Series Coiled (Tenckhoff), Single Preperitoneal Cuff



#### I-SERIES COILED (TENCKHOFF), SINGLE PREPERITONEAL CUFF

Medcomp Kit	A Uncoiled Length (cm)	B Coiled Tip to Cuff (cm)	C Uncoiled Tip to Cuff (cm)	D Cuff to Coil (cm)	E Cuff (cm)	F Cuff to Proximal Tip (cm)	G Coiled Tip (cm)
MPP40C	40	16.36	26	13	0.8	12	5
MPP57C	58	13	31	7	0.8	26	5
MPP60C MPD-160	60	15	34	10	0.8	25	5

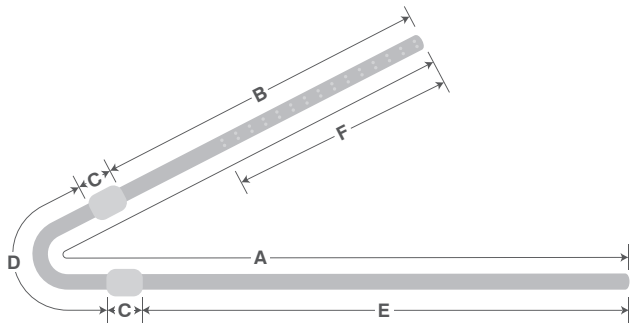
### I-Series Coiled (Tenckhoff), Dual Cuff



#### I-SERIES COILED (TENCKHOFF), DUAL CUFF

Medcomp Kit	A Uncoiled Length (cm)	B Coiled Tip to First Cuff (cm)	C Uncoiled Tip to First Cuff (cm)	D Cuff to Coil (cm)	E Cuff (cm)	F Cuff to Cuff (cm)	G Cuff to Proximal Tip (cm)	H Coiled Tip (cm)
MDC57C MPD-257	57.5	12	31	8	0.8	6	18	5
MDC63C MPD-263	63	19	38.25	14	0.8	6	17	5

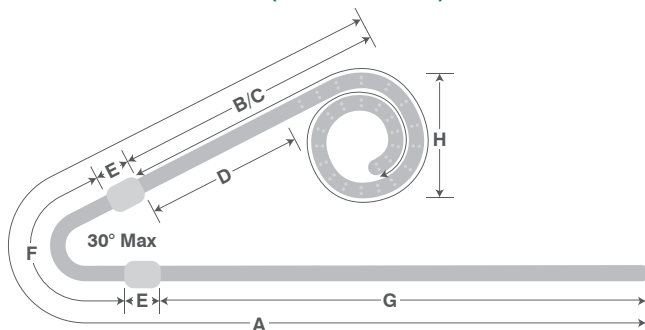
### V-Series Straight (Swan Neck Tenckhoff), Dual Cuff



#### V-SERIES STRAIGHT (SWAN NECK TENCKHOFF), DUAL CUFF

Medcomp Kit	A Length (cm)	B Tip to First Cuff (cm)	C Cuff (cm)	D Cuff to Cuff (cm)	E Cuff to Proximal Tip (cm)	F Sideholes Length (cm)
MC200301	43	15	0.8	5	22	11
MC200302						
MC200101						
MC200102						

### V-Series Coiled (Swan Neck Curl) Dual Cuff



#### V-SERIES COILED (SWAN NECK CURL) DUAL CUFF

Medcomp Kit	A Uncoiled Length (cm)	B Coiled Tip to First Cuff (cm)	C Uncoiled Tip to First Cuff (cm)	D Cuff to Coil (cm)	E Cuff (cm)	F Cuff to Cuff (cm)	G Cuff to Proximal Tip (cm)	H Coiled Tip (cm)
MC200303	39	6.94	16.5	3	0.8	3	17	4
MC200401	63	17.82	34	13	0.8	5	21	5
MC200402								
MC200201								
MC200202								