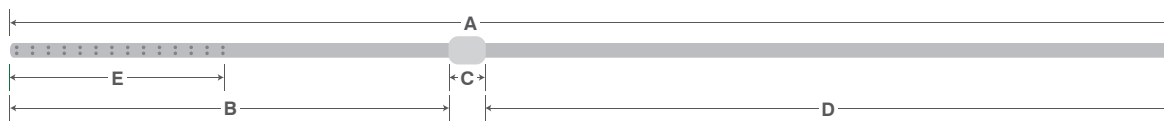




PERITONEAL DIALYSIS CATHETER DIMENSION GRAPH

MEASUREMENTS ARE REFERENCE DIMENSIONS

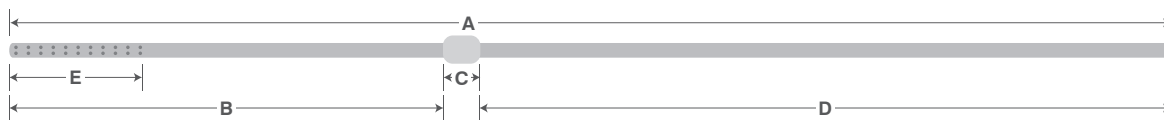
I-Series Straight (Tenckhoff), Single Preperitoneal Cuff



I-SERIES STRAIGHT (TENCKHOFF), SINGLE PREPERITONEAL CUFF

Medcomp Kit	A Length (cm)	B Tip to Cuff (cm)	C Cuff (cm)	D Cuff to Proximal Tip (cm)	E Sideholes Length (cm)
MPP41SCA MPD-141CA	41	15	0.8	25	7
MPP46SCA MPD-146CA	46	20	0.8	25	15

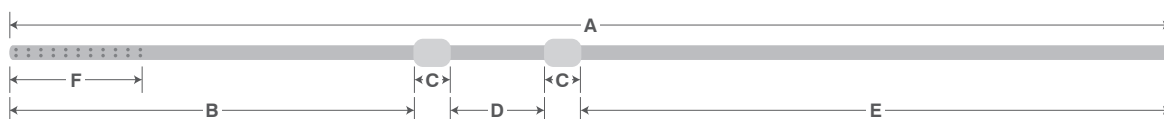
I-Series Straight (Tenckhoff), Single Subcutaneous Cuff



I-SERIES STRAIGHT (TENCKHOFF), SINGLE SUBCUTANEOUS CUFF

Medcomp Kit	A Length (cm)	B Tip to Cuff (cm)	C Cuff (cm)	D Cuff to Proximal Tip (cm)	E Sideholes Length (cm)
MSC31SCA	31	10.25	0.8	20	3
MSC37SCA	37	16.25	0.8	20	5
MSC42SCA	42	21	0.8	20	7
MSC46SCA MPD-146SCA	46	25	0.8	20	15

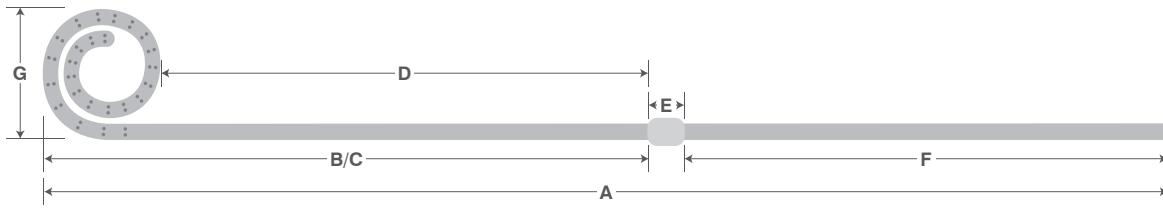
I-Series Straight (Tenckhoff), Dual Cuff



I-SERIES STRAIGHT (TENCKHOFF), DUAL CUFF

Medcomp Kit	A Length (cm)	B Tip to First Cuff (cm)	C Cuff (cm)	D Cuff to Cuff (cm)	E Cuff to Proximal Tip (cm)	F Sideholes Length (cm)
MDC31SCA	31	6.5	0.8	3	20	3
MDC32SCA	32.5	7	0.8	3.5	20	5
MDC37SCA	37	10	0.8	5	20	5
MDC42SCA MPD-242CA	42	15	0.8	5	20	7
MDC47SCA	47	20	0.8	5	20	15

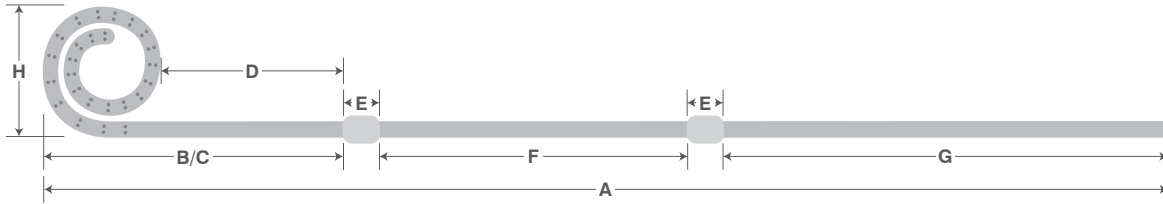
I-Series Coiled (Tenckhoff), Single Preperitoneal Cuff



I-SERIES COILED (TENCKHOFF), SINGLE PREPERITONEAL CUFF

Medcomp Kit	A Uncoiled Length (cm)	B Coiled Tip to Cuff (cm)	C Uncoiled Tip to Cuff (cm)	D Cuff to Coil (cm)	E Cuff (cm)	F Cuff to Proximal Tip (cm)	G Coiled Tip (cm)
MPP40CCA	40	16.36	26	13	0.8	12	5
MPP57CCA	58	13	31	7	0.8	26	5
MPP60CCA MPD-160CA	60	15	34	10	0.8	25	5

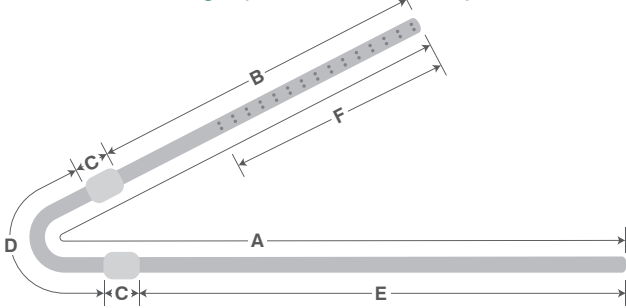
I-Series Coiled (Tenckhoff), Dual Cuff



I-SERIES COILED (TENCKHOFF), DUAL CUFF

Medcomp Kit	A Uncoiled Length (cm)	B Coiled Tip to First Cuff (cm)	C Uncoiled Tip to First Cuff (cm)	D Cuff to Coil (cm)	E Cuff (cm)	F Cuff to Cuff (cm)	G Cuff to Proximal Tip (cm)	H Coiled Tip (cm)
MDC57CCA MPD-257CA	57.5	12	31	8	0.8	6	18	5
MDC63CCA MPD-263CA	63	19	38.25	14	0.8	6	17	5

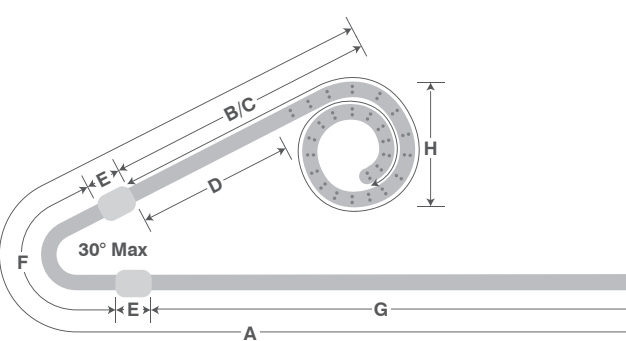
V-Series Straight (Swan Neck Tenckhoff), Dual Cuff



V-SERIES STRAIGHT (SWAN NECK TENCKHOFF), DUAL CUFF

Medcomp Kit	A Length (cm)	B Tip to First Cuff (cm)	C Cuff (cm)	D Cuff to Cuff (cm)	E Cuff to Proximal Tip (cm)	F Sideholes Length (cm)
MC200301CA	43	15	0.8	5	22	11
MC200302CA						
MC200101CA						
MC200102CA						

V-Series Coiled (Swan Neck Curl) Dual Cuff



V-SERIES COILED (SWAN NECK CURL) DUAL CUFF

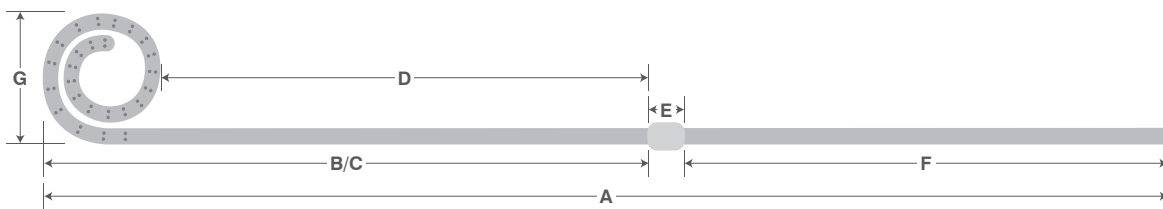
Medcomp Kit	A Uncoiled Length (cm)	B Coiled Tip to First Cuff (cm)	C Uncoiled Tip to First Cuff (cm)	D Cuff to Coil (cm)	E Cuff (cm)	F Cuff to Cuff (cm)	G Cuff to Proximal Tip (cm)	H Coiled Tip (cm)
MC200401CA	63	17.82	34	13	0.8	5	21	5
MC200402CA								
MC200201CA								
MC200202CA								

X-SERIES EXTENDED LENGTH (TWO-PIECE)

Medcomp Kit	Total Length (cm) Coiled + Swan Neck Segment
MC20XCCA	126
MC20XSCA	



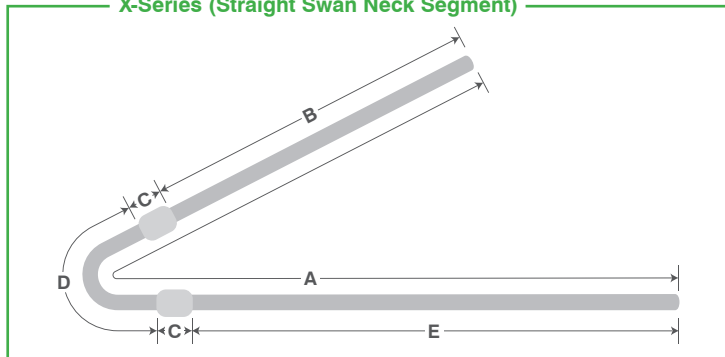
X-Series (Coiled Segment)



X-SERIES (COILED SEGMENT)

A	B	C	D	E	F	G
Uncoiled Length (cm)	Coiled Tip to Cuff (cm)	Uncoiled Tip to Cuff (cm)	Cuff to Coil (cm)	Cuff (cm)	Cuff to Proximal Tip (cm)	Coiled Tip (cm)
64	17.64	38.25	12.75	0.8	25.4	5

X-Series (Straight Swan Neck Segment)



X-SERIES (STRAIGHT SWAN NECK SEGMENT)

A	B	C	D	E
Length (cm)	Tip to First Cuff (cm)	Cuff (cm)	Cuff to Cuff (cm)	Cuff to Proximal Tip (cm)
62	28.5	0.8	5	28.5