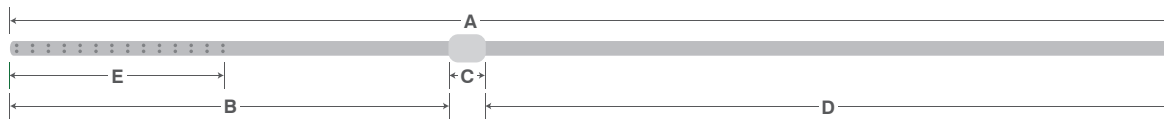




PERITONEAL DIALYSIS CATHETER DIMENSION GRAPH

MEASUREMENTS ARE REFERENCE DIMENSIONS

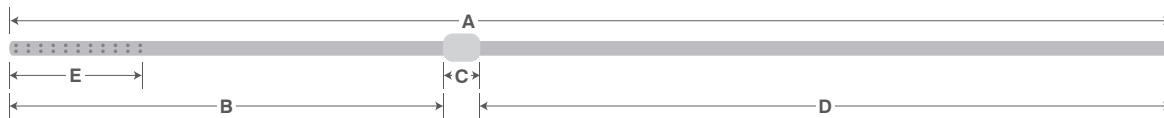
I-Series Straight (Tenckhoff), Single Preperitoneal Cuff



I-SERIES STRAIGHT (TENCKHOFF), SINGLE PREPERITONEAL CUFF

Medcomp Kit	A Length (cm)	B Tip to Cuff (cm)	C Cuff (cm)	D Cuff to Proximal Tip (cm)	E Sideholes Length (cm)
MC20IS41PC	41	15	0.8	25	7
MC20IS46PC MC20IS46PS	46	20	0.8	25	15

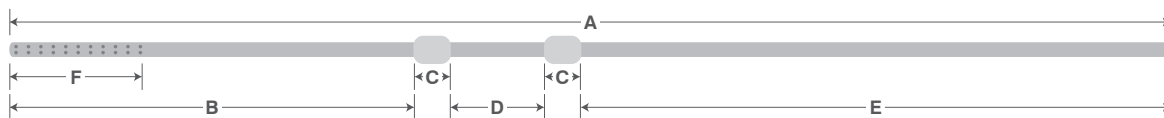
I-Series Straight (Tenckhoff), Single Subcutaneous Cuff



I-SERIES STRAIGHT (TENCKHOFF), SINGLE SUBCUTANEOUS CUFF

Medcomp Kit	A Length (cm)	B Tip to Cuff (cm)	C Cuff (cm)	D Cuff to Proximal Tip (cm)	E Sideholes Length (cm)
MC20IS31SC	31	10.25	0.8	20	3
MC20IS37SC	37	16.25	0.8	20	5
MC20IS42SC	42	21	0.8	20	7
MC20IS46SC MC20IS46SS	46	25	0.8	20	15

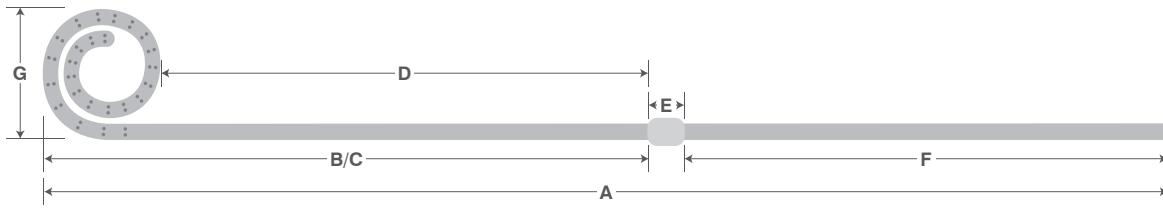
I-Series Straight (Tenckhoff), Dual Cuff



I-SERIES STRAIGHT (TENCKHOFF), DUAL CUFF

Medcomp Kit	A Length (cm)	B Tip to First Cuff (cm)	C Cuff (cm)	D Cuff to Cuff (cm)	E Cuff to Proximal Tip (cm)	F Sideholes Length (cm)
MC20IS31DC	31	6.5	0.8	3	20	3
MC20IS32DC	32.5	7	0.8	3.5	20	5
MC20IS37DC	37	10	0.8	5	20	5
MC20IS42DC MC20IS42DS	42	15	0.8	5	20	7
MC20IS47DC	47	20	0.8	5	20	15

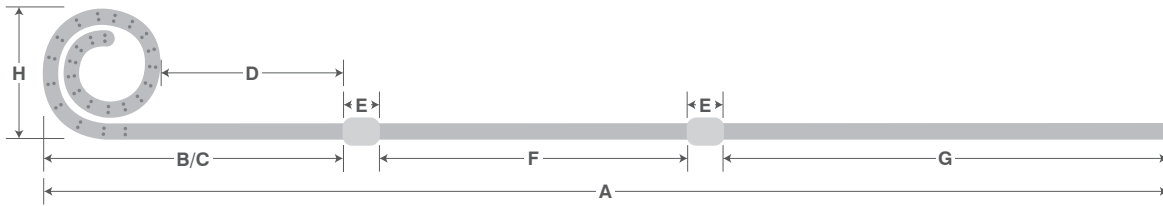
I-Series Coiled (Tenckhoff), Single Preperitoneal Cuff



I-SERIES COILED (TENCKHOFF), SINGLE PREPERITONEAL CUFF

Medcomp Kit	A	B	C	D	E	F	G
	Uncoiled Length (cm)	Coiled Tip to Cuff (cm)	Uncoiled Tip to Cuff (cm)	Cuff to Coil (cm)	Cuff (cm)	Cuff to Proximal Tip (cm)	Coiled Tip (cm)
MC20IC40PC	40	16.36	26	13	0.8	12	5
MC20IC57PC	58	13	31	7	0.8	26	5
MC20IC60PC MC20IC60PS	60	15	34	10	0.8	25	5

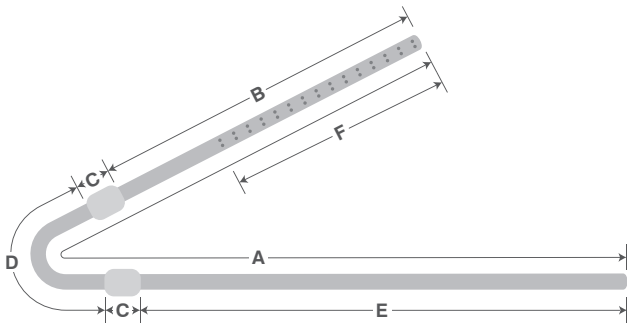
I-Series Coiled (Tenckhoff), Dual Cuff



I-SERIES COILED (TENCKHOFF), DUAL CUFF

Medcomp Kit	A	B	C	D	E	F	G	H
	Uncoiled Length (cm)	Coiled Tip to First Cuff (cm)	Uncoiled Tip to First Cuff (cm)	Cuff to Coil (cm)	Cuff (cm)	Cuff to Cuff (cm)	Cuff to Proximal Tip (cm)	Coiled Tip (cm)
MC20IC57DC MC20IC57DS	57.5	12	31	8	0.8	6	18	5
MC20IC63DC MC20IC63DS	63	19	38.25	14	0.8	6	17	5

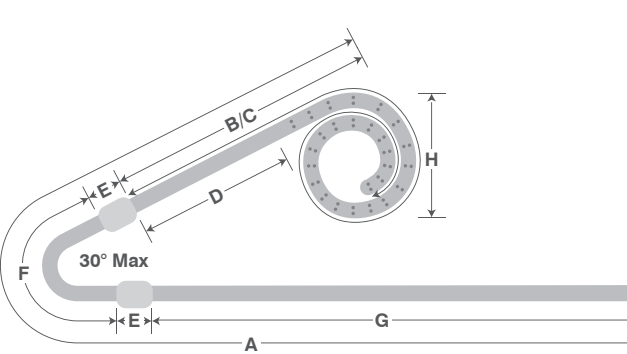
V-Series Straight (Swan Neck Tenckhoff), Dual Cuff



V-SERIES STRAIGHT (SWAN NECK TENCKHOFF), DUAL CUFF

Medcomp Kit	A	B	C	D	E	F
	Length (cm)	Tip to First Cuff (cm)	Cuff (cm)	Cuff to Cuff (cm)	Cuff to Proximal Tip (cm)	Sideholes Length (cm)
MC20VS43LC MC20VS43RC MC20VS43LS MC20VS43RS	43	15	0.8	5	22	11

V-Series Coiled (Swan Neck Curl) Dual Cuff



V-SERIES COILED (SWAN NECK CURL) DUAL CUFF

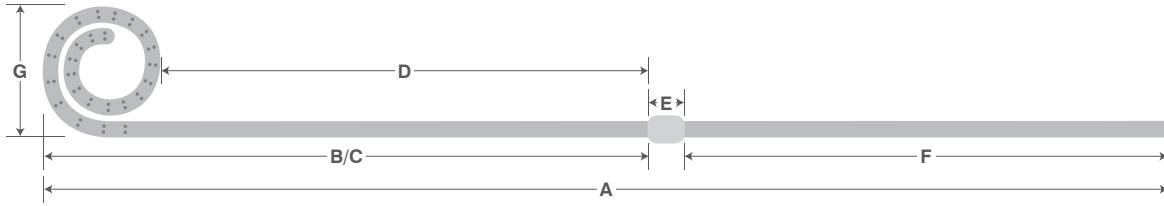
Medcomp Kit	A	B	C	D	E	F	G	H
	Uncoiled Length (cm)	Coiled Tip to First Cuff (cm)	Uncoiled Tip to First Cuff (cm)	Cuff to Coil (cm)	Cuff (cm)	Cuff to Cuff (cm)	Cuff to Proximal Tip (cm)	Coiled Tip (cm)
MC20VC57LC MC20VC57LS	57	14.10	30.6	9	0.8	5	18	5
MC20VC63LC MC20VC63RC MC20VC63LS MC20VC63RS	63	17.82	34	13	0.8	5	21	5

X-SERIES EXTENDED LENGTH (TWO-PIECE)

Medcomp Kit	Total Length (cm) Coiled + Swan Neck Segment
DMC20XC	126
DMC20XS	



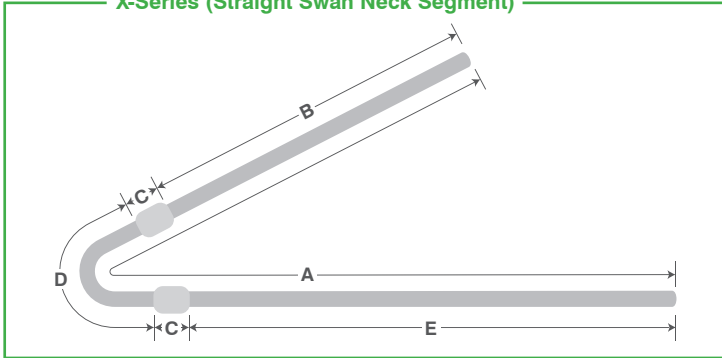
X-Series (Coiled Segment)



X-SERIES (COILED SEGMENT)

A	B	C	D	E	F	G
Uncoiled Length (cm)	Coiled Tip to Cuff (cm)	Uncoiled Tip to Cuff (cm)	Cuff to Coil (cm)	Cuff (cm)	Cuff to Proximal Tip (cm)	Coiled Tip (cm)
64	17.64	38.25	12.75	0.8	25.4	5

X-Series (Straight Swan Neck Segment)



X-SERIES (STRAIGHT SWAN NECK SEGMENT)

A	B	C	D	E
Length (cm)	Tip to First Cuff (cm)	Cuff (cm)	Cuff to Cuff (cm)	Cuff to Proximal Tip (cm)
62	28.5	0.8	5	28.5